



# Actuator Specification & Installation instructions



**Feature:**

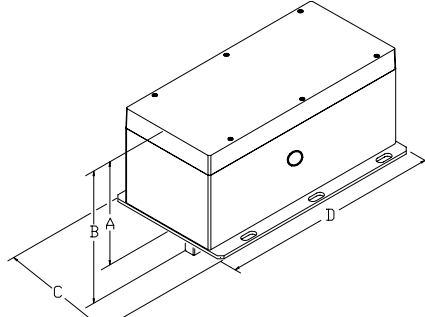
- Up to 4000 in.lb [450Nm].
- Clutch for manual adjustments.
- Maintenance free.
- Control signal fully programmable.
- Fail safe (battery backup) (on model 210 & 230).
- Auxiliary switches (on model 220 & 230).
- IP56 enclosure.

UM200  
UM220  
UM210  
UM230  
WM200  
WM220  
WM210  
WM230

Technical Data	UM200	UM220	UM210	UM230	WM200	WM220	WM210	WM230
<b>Auxiliary switches</b>	No	Yes (2)	No	Yes (2)	No	Yes (2)	No	Yes (2)
<b>Fail safe</b>	No		Yes		No		Yes	
<b>Torque</b>	2500 in.lb. [280 Nm] at rated voltage				4000 in.lb. [450 Nm] at rated voltage			
<b>Running time through 90°</b>	4 min.				8 min.			
<b>Feedback</b>	4 to 20 mA or 2 to 10 VDC adjustable							
<b>Power consumption</b>	40 VA							
<b>Power supply</b>	28 to 32 VDC or 22 to 26 VAC, 220 to 250 VAC 50/60Hz							
<b>Electrical connection</b>	18 AWG [0.8 mm <sup>2</sup> ] minimum							
<b>Inlet bushing</b>	3 inlet bushing of 7/8 in [22.2 mm]							
<b>Control signal</b>	Analog or Digital programmable (factory set with Analog control signal)							
<b>Angle of rotation</b>	0 to 110 degrees, electronically adjustable (factory set with 110° stroke)							
<b>Direction of rotation</b>	Reversible, Clockwise (CW) or Counterclockwise (CCW) (factory set with CW direction)							
<b>Ambient temperature</b>	0°F to +122°F [-18° C to +50° C]							
<b>Storage temperature</b>	-22°F to +122°F [-30° C to +50° C]							
<b>Relative Humidity</b>	5 to 95 % non condensing.							
<b>Weight</b>	29 lbs. [13 kg]							

**Warning: Do not press the clutch when actuator is powered**

## Dimensions



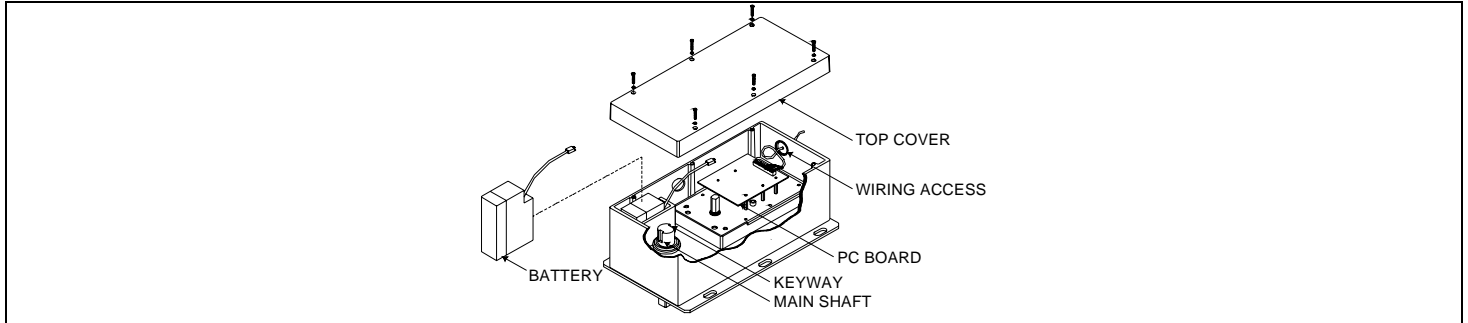
Dimension	Inches	Metric (mm)
<b>A</b>	6.75	169.4
<b>B</b>	7.95	201.9
<b>C</b>	7.85	199.4
<b>D</b>	14.45	367.0

## Caution

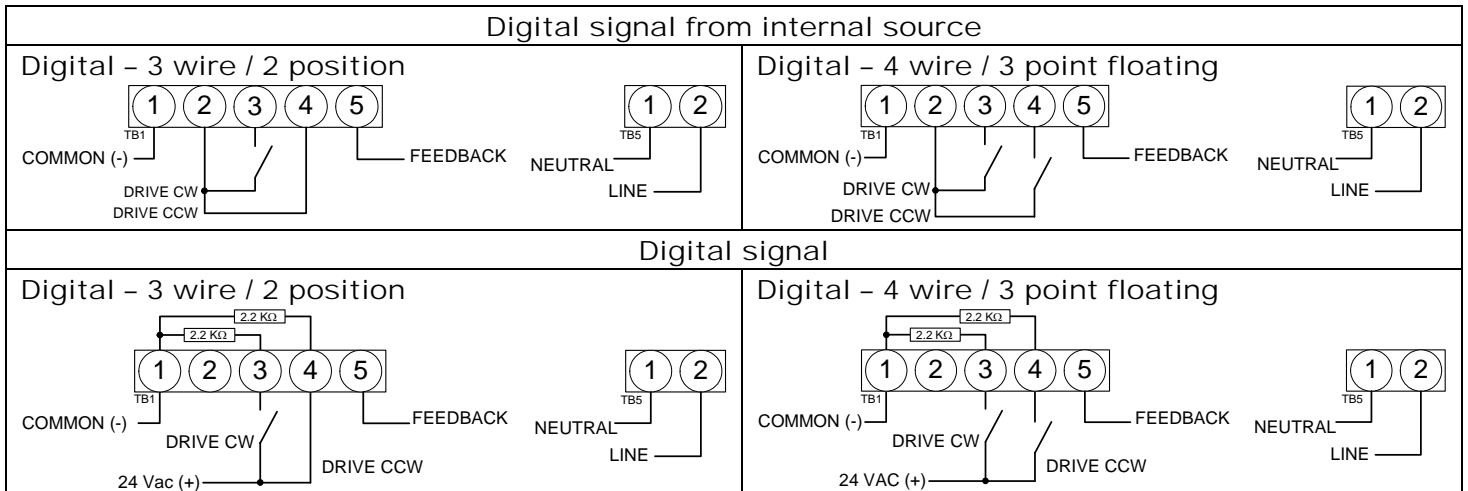
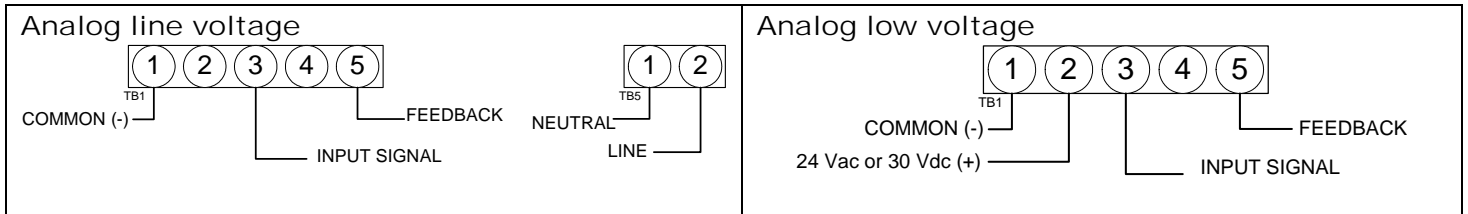
We strongly recommend that all neptronic® products be wired to a separate transformer and that transformer shall service only neptronic® products. This precaution will prevent interference with, and/or possible damage to incompatible equipment.  
When multiple actuators are wired on a single transformer, polarity must be observed. Long wiring runs create voltage drop which may affect the actuator performance.



Exploded view



Wiring Diagrams



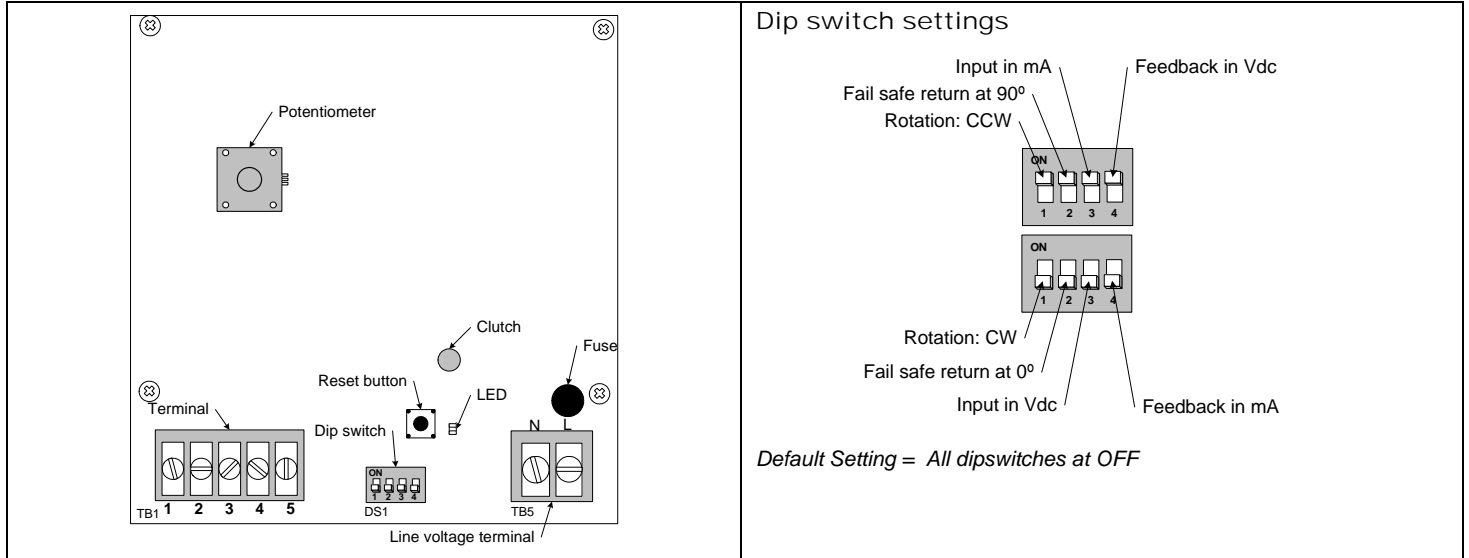
Special consideration for Digital control

In this mode, the actuator is sensitive to induced electrical voltages **from external sources**. To prevent such interference, if the signal on pins 4 and 3 on TB1 are from an **external 24 Vac source**, install a resistor 2.2kohm, 0.5W between pins 4 and 1 and another of 2.2kohms, 0.5W between pins 3 and 1 of TB1. These resistors are included.

Input Signal and Feedback setup

	Input Signal	Feedback
Analog Mode	Input Signal is set with Dipswitch # 3 DS1-3 at OFF = 2 – 10Vdc (default setting) DS1-3 at ON = 4 – 20mA	Feedback is set with Dipswitch #4 DS1-4 at OFF = 4 – 20mA (default setting) DS1-4 at ON = 2 – 10Vdc
Digital Mode	No Input Signal Setting DS1-3 <b>MUST</b> be at OFF	

PC Board



Stroke adjustment – No control signal change

1. Apply power and, **wait for at least 10 seconds.**
2. /Press and release the reset button to start the auto-stroke process.  
The LED should be illuminated.
  - First option:  
The actuator will then travel in both directions to find it's limit and position itself according to the demand.  
The LED will extinguish, the process is complete.
  - Second option:  
When the desired end position is reached, press and release the reset button. The actuator will now return back to its original position. (you can also press and release the reset button when It's reaches the original position)  
The LED will extinguish, the process is complete.

Programming – Change of control signal

1. Remove power and put all dip switches "OFF". (factory preset).
2. Apply power and, **within 10 seconds**, press and release the reset button. The LED should be blinking.
3. Select the control signal with dip switches:
  - **Digital** (On/Off or 3 point floating)  
move switch **No1** "ON" and then "OFF".
  - **Analog** (factory preset)  
move switch **No2** "ON" and then "OFF".
1. Stroke adjustment  
*see the stroke adjustment section above.*

### Zero and span calibration

This feature is applicable to analog control signal only.

1. Remove power and put all dip switches "OFF". (factory preset).
2. Apply power and, **within 10 seconds** press and **hold** the reset button until the LED blinks. The Zero and span calibration process then start.
3. Release the reset button. The LED is now constantly illuminated.
4. Apply new minimum voltage.  
It can be any value between 0 to 7 VDC, with an external 0 to 10 volt supply (ex: MEP).
5. Press and release the reset button to memorize the new minimum voltage. The LED blinks.
6. Apply new maximum voltage.  
It can be any value between 3 to 10 VDC, this value should be greater than the new minimum value.
7. Press and release the reset button to memorize the new maximum voltage. The LED blinks. The Zero and span calibration process is complete.

Note: To reset zero and span to 2 to 10 VDC (factory value). You just have to re-select the analog control signal mode, see Programming.

### Wiring Diagrams for auxiliary switches (on model 220 & 230)

