



Rotary Damper Actuator On/Off 2Nm

RA2

Jan.10



Features

- 2Nm torque to regulate dampers up to appr. 0,5m2
- Manual Over-Ride by Crank Handle
- Anti-rotation bracket provided for stability
- Adjustable Angle of Rotation, Mechanical Endstops
- Simple Direct Mounting by Universal Adapter
- Available with 0,9m Cable Connection

CE RA2

Technical Data

Power Supply	24Vac/dc +/-10% 50Hz 230Vac 50/60Hz
Power Consumption	
Operating	2,5W for 24V and 1,5W for 230V
Stop Power Consump.	0,75W
Wiring Size	3VA for 24V and 1,5VA for 230V
Control Signal	On/Off
Torque	Not less than 2Nm
Protection Class	IP54
Angle Limiting	Max 95 degree
Direction of Rotation	Bidirectional L/R switch (right/left)
Auxiliary Switch Rat.	1 x SPDT (2,5), 250Vac
Shaft Dimension	8-16mm diameter / 5-12mm square
Running Time	30-25 sec
Noise Level	< 45dB (A)
Usage Life	Min. 60.000 open-close operations
Position Indication	Mechanical
Ambient Temperature:	-20...+ 50°C & - -30...+ 50°C
Ambient Humidity:	5...95%rH non-condensing
Weight	0,7 kg
Maintenance	Maintenance free
Standards	The actuators meet CE requirements

Short Description

By using the mounting clamp the actuators can be direct couple mounted over the damper shaft

The compact size allows for easy installation where space is limited.

Manual control through buttons available in the housing.

Actuator itself has ability of over-loading protect.

It stops automatically without limit switch

A mechanical limit operator is placed inside

Output signal amount 0-100%

Damper Size

When calculating the torque required to operate dampers, it is essential to take into account all the data supplied by the damper manufacturer concerning cross sectional area, design, mounting and air flow conditions.

The recommended damper size are guide values

Usage

RA2 on/off damper actuator is a high quality damper actuator for applications in HVAC systems.

Ordering

RA2 24D Damper Actuator 2Nm 24Vac/dc

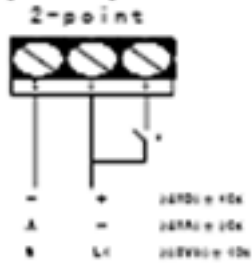
RA2 230D Damper Actuator 2Nm 230Vac

RA2 24DS1 Damper Actuator 2Nm 24Vac/dc aux.sw.

RA2 230DS1 Damper Actuator 2Nm 230Vac aux.sw

Wiring

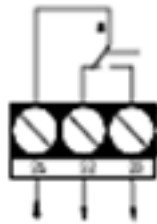
This damper actuator can be operated in 2-point control



Electric wiring: 24V: black terminal 1
red terminal 2
white terminal 3

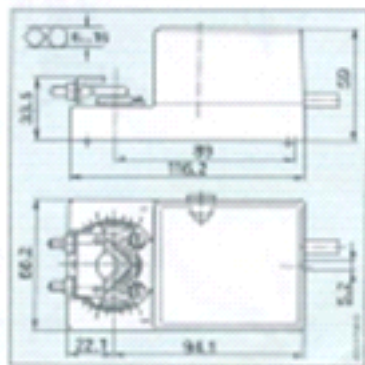
230V: blue terminal 1
brown terminal 2
white terminal 3

Auxiliary switch wiring:



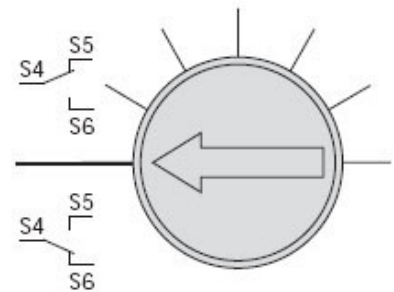
Auxiliary switches: orange terminal 21
yellow terminal 22
green terminal 23

Housing size:



Auxiliary switch adjustment Switch a Factory set at 5°

Switch b
adjustable
40°...90°



Built-in Microswitch Adjustment
Move the screw of the microswitch.

Angle-of-rotation limiting

Mechanical Limited Adjustment

1. Loosen screw of the mechanical limited.
2. Move the limited to the appropriate position.
3. Tighten on the screw.

