



Combined warning horn and flashlight in stable plastic housing (ABS)

Features

- Simple maintenance
- Continuous operation
- Long life-time
- Reliable
- Extended temperature range

Technical Data

Electrical

Power Supply	9 – 28 Vdc
Power Consumption	Max. 45 mA
Audio frequency	38 arbitrary sounds, incl. DIN 33 404 Tone
Acoustic pressure	Max. 98 dB(A) @1m

Operating Environment

Humidity	15 – 95 % r.H non-condensing
Working temperature	-25 °C to +70 °C
Storage temperature	-25 °C to +70 °C
Pressure range	Atmospheric ± 10 %

Physical characteristics

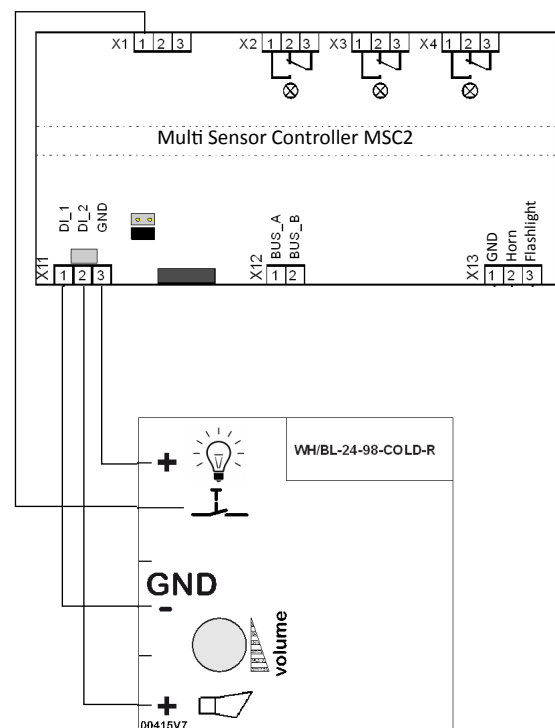
Enclosure material	Thermplastic (ABS), shock resistant
Enclosure colour	Red
Dimensions (D x H)	Appr. 93 x 97 mm
Weight	0.4 kg
Protection class	IP 65
Mounting	Wall and ceiling installation
Cable entry	Appr. 12 mm diameter
Wire connection	Screw-type terminals, min. 0.28 mm ² , max. 2.5 mm ²

Directives	VdS
-------------------	-----

Application

All-purpose audio warning hooter with integrated xenon flashlight for accoustic and optical warning with separate actuation and acknowledgement button.

Wiring Configuration



Ordering Code

OAW 24T Warning Horn/Flashlight 24Vdc