



Indoor Air Quality Gas Leak Unit for 1 to 2 Detectors **VOC**

Aug.14



VOC

Features

- Integrated gas sensor, long life expectancy
- Good resistance to poisoning
- Continuous monitoring
- Standard with display/LED/keypad/ internal buzzer
- Easy maintenance/calibration
- 4 x status LED without display (option)
- 3 power relays,potential-free, 250Vac/dc 5A (option)

Technical Data

Gas	VOC
Detection principle	Metal Oxide Semiconductor
Measuring range	0 - 2000ppm or 0-4000ppm
Accuracy	+/- 150ppm
Repeability	+/-5% of reading
Response time	t90<60sec.
Mounting height	High density than air mount low Low density than air mount high
Output signal	(0)4-20mA, load 500ohm Selectable (0)2-10Vdc, load 50kohm Relay 1 30Vac/dc, 0,5A, pot.free SPDT Relay 2 30Vac/dc 0,5A potfree SPNO/SPNC Binary 30Vdc, 0,1A open collector
Input signal ext. detector	4-20mA, input resistance 200ohm
Voltage external detector	24Vdc, max, load 50mA
Power supply	18-28Vac/dc,reverse polarity prot. 90 to 250Vac 50/60Hz
Power consumption	100mA, max (2,5VA)
Expected lifetime	< 10 years normal ambient cond.
Humidity range	15-95% rH non-condensing
Operating range	-10 up to +50C
Rating	IP65 Protection Class
Pressure range	Atmospheric +/-10%



Application

VOC is used for measuring and controlling of the indoor air quality.

The Gas Central is equipped with an internal gas sensor for VOC.

One external gas transmitter for toxic, combustible or refrigerant gases can be controlled additionally.

Four alarm thresholds are free adjustable for each Measuring Point.

Every alarm threshold can be assigned to one of the maximum 4 alarm outputs

Ordering Codes

VOC 2024	Air Quality Central 0-2000ppm	24Vac/dc
VOC 2230	Air Quality Central 0-2000ppm	230Vac
VOC 4024	Air Quality Central 0-4000ppm	24Vac/dc
VOC 4230	Air Quality Central 0-4000ppm	230Vac

DUCT SPC	Duct Mounting
MOD SPC	Protocol for Modbus RTU
POW 1	1 x Power relays 250Vac, 5A, potential-free changeover
POW 2	2 x Power relays 250Vac, 5A, potential-free changeover
POW 3	3 x Power relays 250Vac, 5A, potential-free changeover
EPS	Supply duration 60min., maintenance-free, changeover
HEAT	Temp.controlled heating element 3C +/-2C0,3VA
FLASH	Flash-light built-in, red, green or yellow
BLINK	LED-blinking light
HORN	Built-in warning siren up to 101db
STAIN	Enclosure of stainless steel

Warning devices See special datasheet

Warning signs See special datasheet

We reserve the right to make changes and improvements in our products which may effect the accuracy of the information contained in this leaflet.

Physical characteristics

Enclosure	Polycarbonate, halogen-free On request stainless steel
Flammability	UL94 V2
Enclosure colour	RAL 7032 light grey
Dimensions WxHxD	130 x 130 x 75mm 130 x 130 x 100mm (E-version)
Weight	approx 0,6kg
Cable entry	Standard 3 x M20
Wire connection	Screw terminal, min 0,25mm ² and max 2,5mm ²
Wire distance	Current signal 500m Voltage signal 200m
Guidelines	EMC Directive 2004/108/EC Low Voltage Directive 2006/95/EC EN 61010-1:2010 ANSI/UL 61010-1 CAN/CSA-C22.2 No.61010-1

LCD display

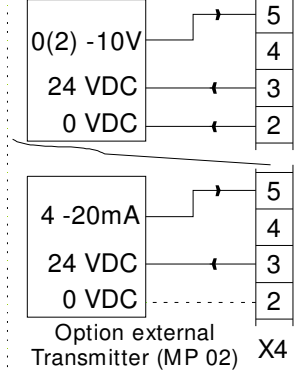
LCD	Two lines, each 16 characters
Status LED (4)	Normal operation: Fault - Alarm 1 - Alarm 2
Operation	4 push-buttons - menu-driven
Power consumption	10mA (max 0,3VA)
Heating	
Temperature controlled	3C +/-2C
Ambient temperature	-30C
Power supply	18-28Vac/dc
Power consumption	0,5A, 12VA

Options

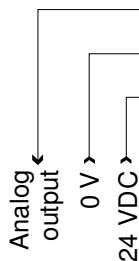
Status LED (without display)	Power - Alarm 1 - Alarm 2 - Fault
Power supply 230Vac	90-250Vac 50/60Hz
Power relays (3)	250Vac, 5A, potential-free, change-over contact
Emergency power supply	Supply duration 60min, maintenance-free
LED flashing light Warning light	IP65, LED, 3500lm 18-28Vac/dc, 45mA max. (1,2VA)

Internal buzzer

83db (distance 200m) 2300Hz



Analog Output Signal:
adjustable via jumper
(0)4-20mA / (0)2-10 V

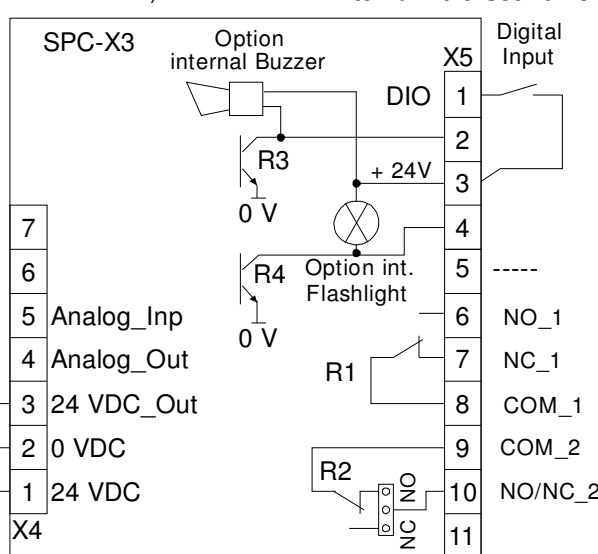


External Horn

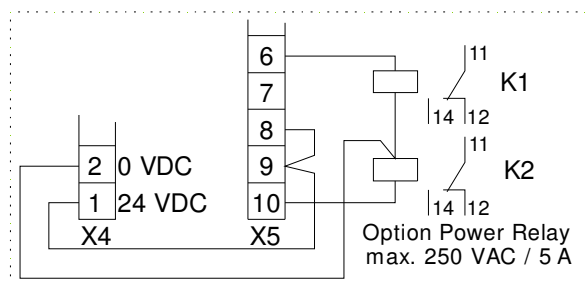
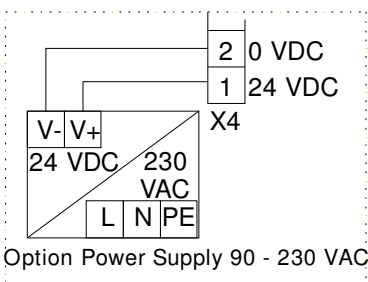
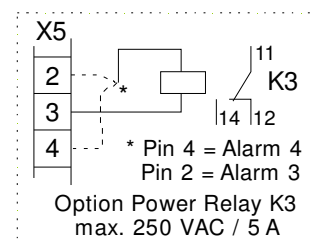
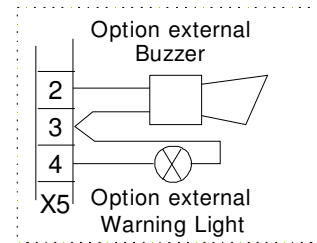
87db (1000m) 18-28Vac/dc, 6mA

External Multi-sound Horn

85-100db, 18-28Vac/dc, 6mA



R1: SPDT, 30 VAC/DC, 0,5 A
 R2: SPNO/SPNC, 30 VAC/DC, 0,5 A
 R3/R4: Open Collector, 30 VDC, 50 mA



Note: The alarm outputs R3 and R4 are designed as open collector outputs.
 Warning lamps / horn combination units with common ground can therefore not be connected!