



MPW 010

FEATURES

- Four selectable input ranges
- Jumper selectable Triac adaptor
- 255 step resolution
- No wrap-around
- Manual override facility

TECHNICAL DATA

Supply voltage	24 Vac/dc ($\pm 10\%$)
Supply current	35 mA max.
Power consumption	1 Watt
Inputs	
Dry contact	
Triac signal trigger	12-24 Vac/dc
Input timing	Min 1 mSecond between ON pulses
Input impedance	900 ohm Vac or 1,5 Kohm Vdc
Input ranges	0,02 - 5 secs 0,1 - 10 secs 0,1 - 25,5 secs 0,59 - 2,93 secs
Output voltage	0-10 Vdc
Output impedance	1000 ohm
Output accuracy	
Auto	$\pm 5\%$
Man	$\pm 5\%$
Dimensions	60 x 60 x 28 mm
Weight	45 g
Operating temperature	0...+70°C
Operating humidity	5-95% R.H. non-condensing

APPLICATION

The MPW 010 converts a pulse-width modulation signal into a standard 0-10 Vdc output signal.

Input pulse width ranges are link selectable between 0,02 to 25,5 seconds and the input can be either relay contact or Triac driven, including optically isolated relay input.

A manual override facility exists to produce a 0-10 Vdc signal for commissioning purposes.

The potentiometer R7 is used to achieve this.

INPUT TIMING JUMPER SETTINGS

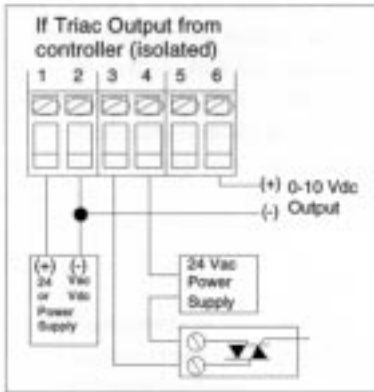
	1	0	
0,1 - 10 Secs	●	● ● ● ●	A B
0,02 - 5 Secs	●	● ● ● ● ●	A B
0,1 - 25,5 Secs	● ● ● ●	● ● ●	A B
0,59 - 2,93 Secs	● ● ● ● ● ●	● ● ●	A B

ORDERING CODE

MPW 010 PWM to Analogue Conversion Module

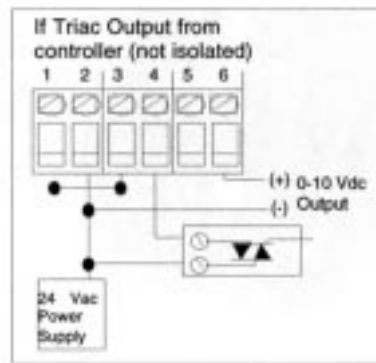
CONNECTIONS

Isolated Triac input



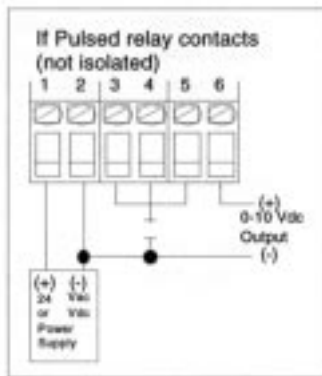
•• J2

Non-isolated Triac input



•• J2

Non-isolated relay contact input



•• J2

Input signal (J2) and manual override (J3) link settings



Wiring details

