



ODD

Features

- A fully automatic device, it switches lighting according to demand
- Protection class IP54 for installation in wet zones
- Maximum energy efficiency
- Walking persons, objects are detected at distances of up to 10metres
- Second-to-none coverage
- The specially designed lens provides 110 degree coverage to ensure optimum detection
- Setting time delay

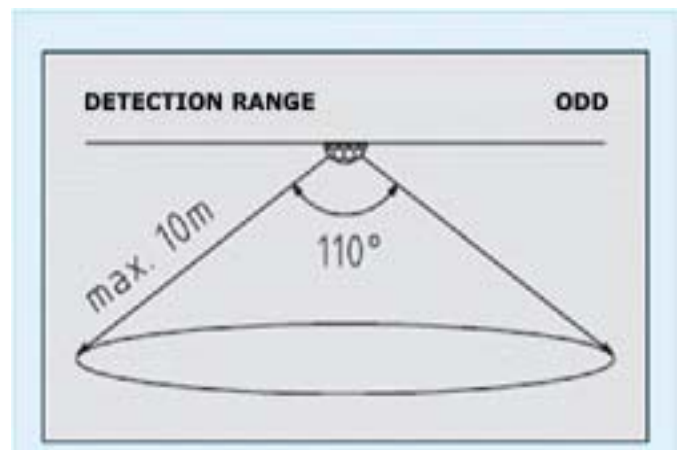
Application

The motion sensor detects the motions of persons. It is used to monitor or recognize conditions and for motion-dependent control of room functions e.g.

- for lowering temperatures in unused rooms
- corridors
- industrial halls
- garage
- business facilities
- green house
- outdoor areas
- offices
- residendital facillites
- parking lots
- court yards
- access control, safety zones and security areas

Technical Data

Power supply	24Vac/dc
Sensor	infrared motion sensor
Detection range	360 degree, angle of beam 90/110 degree reach cirka 10metres
Motion detection	of persons and objects, necessary temperature difference between subject and ambience >5K
Output	without/ with motion, potential-free normally open/breaker contact 24V
After running time	adjustable from 4s to 16 minutes
Ambient temp.	-10...+50degree
Electrical connect.	0.14...1,5mm2 via terminal screws on circuit board
Enclosure	plastic, material polyamide 30% glass-glove-reinforced, with quick-locking screws colour pure white (similar to RAL9010)
Dimensions	72x64x39,4
Installation	on-wall
Cable entry	M16, including strain relief
Protection class	III according to EN 60 730
Protection type	IP65 according to IEC529
Standards	CE conformity, electromagnetic compatibility according to EN 61326+A1+A2 EMC directive 89/336/EWG



Design Features

This passive infrared detector is for monotoring occupation through moving body heat or other objects.

The detection of occupancy causes of the internal relay to activate and the volt free contact ensure compatibility with a vast array of equipment including BMS digital inputs.

Ordering Codes

ODD

External motion detector Normally Open

Installation and Connection Details

All connections to BEMS controllers, data recorders etc. should be made using screened cable.

Normally, the screen should be earthed at one end only (usually the controller end) to avoid earth hum loops which can create noise.

Low voltage signal and supply cables should be routed separately from high voltage or mains cabling.

Separate conduit or cable tray should be used.



Where possible, the controller's earth should be connected to a FUNCTIONAL EARTH, rather than the mains safety earth.

This will provide better immunity to high frequency noise.

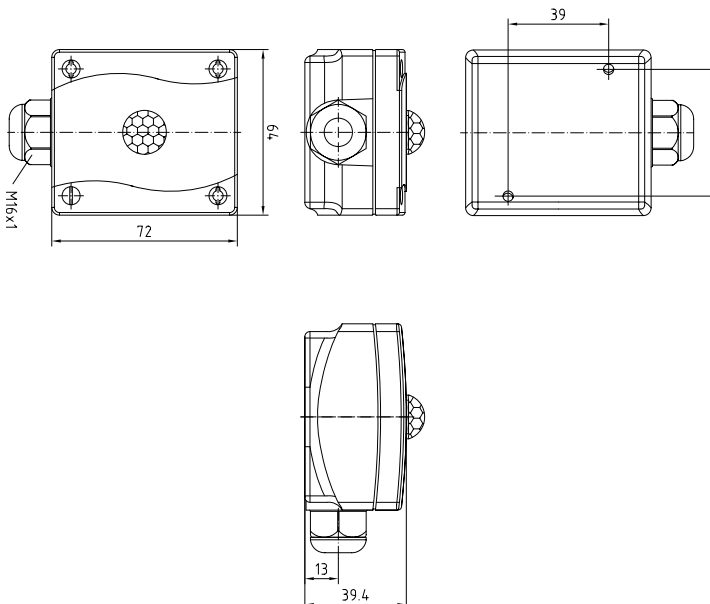
Most modern buildings have a separate earth for this purpose

Connecting Diagram

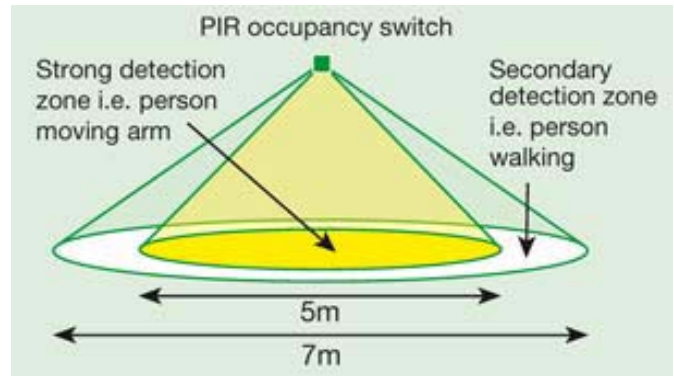
-  1 UB-GND
-  2 UB+supply voltage 24V AC / DC

-  5 Potential-free
-  6 Normally-open / breaker contact motion

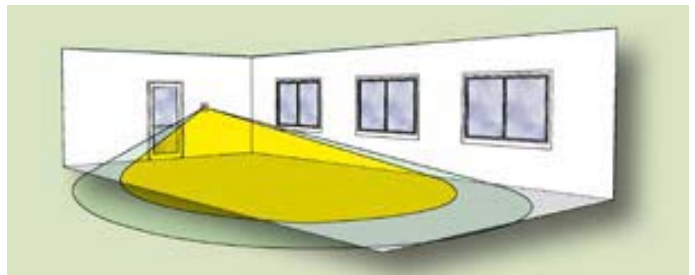
Dimensions



Detection Diagram



Perspective view



Recommended mounting height between 1 and 1.8 metres

Circuit Diagram

