



Fail Safe Actuator On/Off Spring Return

15Nm

RAR 15

Feb.12



CE RAR15

Technical Data

Power Supply	24Vac/dc +/-10% 50-60Hz 230Vac +/-10% 50-60Hz
Power Consumption	
Operating	6,5W
At the end stops	2,5W
Torque	15Nm
Protection Class	IP54 and II
Auxiliary Switch Rating	3A(1,5A)@250Vac 5° resp 85°
Angle Limiting	Mechanical end stops
Direction of Rotation	Bidirectional (right/left)
Angle of Rotation	90° (95°mechanical)
Rotation Limiting	5°... 85° in 5° step
Shaft Dimension Dia	10-19mm round / 10-16mm square 40mm minimum shaft length
Running Time	180sec <30sec of spring back
Noise Level	Motor max 50dB (A), Spring max 62dB
Usage Life	Min. 60'000 open-close operations
Position Indication	Mechanical
Control Signal	2-point
Ambient Temperature:	-20...+ 50°C
Ambient Humidity:	5...95%rH non-condensing
Weight	3,0kg
Maintenance	Maintenance free
Standards	The actuators meet CE requirements

Features

- 15Nm torque to regulate dampers up to appr. 3,0m2
- Auxiliary potential-free switches, fixed
- Selectable direction of rotation by reversing actuator
- Anti-rotation bracket provided for stability
- Adjustable angle of rotation, mechanical endstops
- Simple direct mounting by universal adapter
- Available with 1 m cable connection
- Energy savings at end stops

Short Description

By using the mounting clamp the actuators can be direct couple mounted over the damper shaft

The compact size allows for easy installation where space is limited.

Damper Size

When calculating the torque required to operate dampers, it is essential to take into account all the data supplied by the damper manufacturer concerning cross sectional area, design, mounting and air flow conditions.

The recommended damper size are guide values

High dependable performance

RAR15 on/off type damper actuator is a high quality spring return damper actuators designed for use air dampers, butterfly valve, ball and seat valve with the use of special adapter.

The actuator opens the damper loading the return-spring: with is current cut-off the spring moves the damper in a safe position.

Ordering

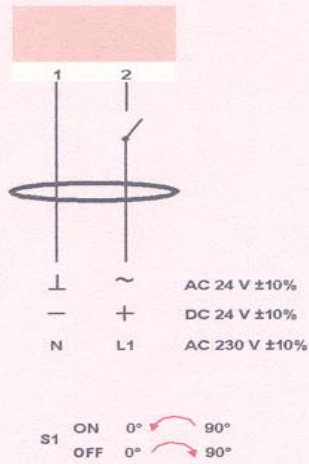
RAR15 24D Fail Safe Actuator 10Nm 24Vac/dc

RAR15 220D Fail Safe Actuator 10Nm 230Vac

RAR15 24D S2 Fail Safe Actuator 10Nm 24Vac/dc aux.sw.

RAR15 220D S2 Fail Safe Actuator 10Nm 230Vac aux.sw

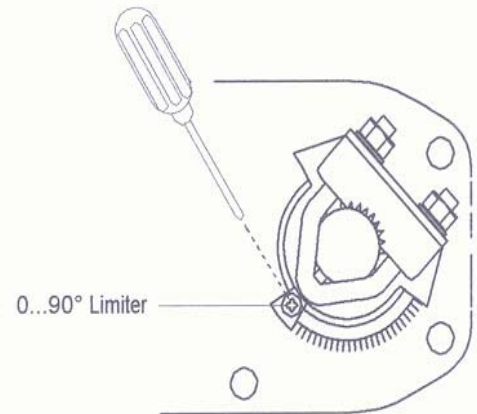
Wiring diagram



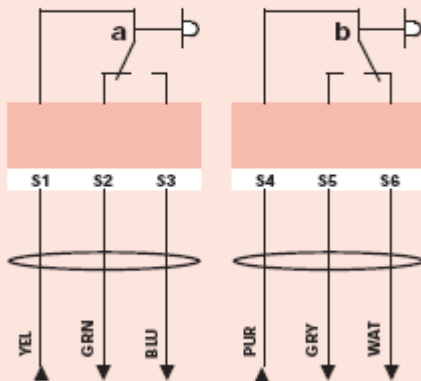
Angle-of-rotation limiting

Mechanical Limited Adjustment

1. Loosen screw of the mechanical limited.
2. Move the limited to the appropriate position.
3. Tighten on the screw.



Auxiliary switches (S)



Electrical Wiring

YEL	-	yellow	
GRN	-	green	
BLU	-	blue	<5°
PUR	-	purple	
GRY	-	grey	
WAT	-	ochre	<85°
BLK	-	black	
RED	-	red	

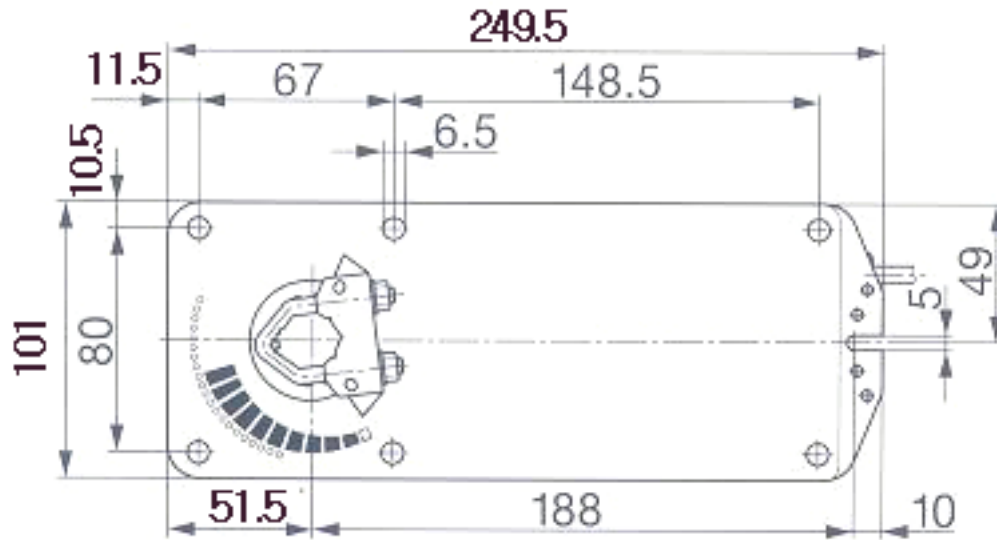


Fail Safe Actuator On/Off Spring Return

15Nm

RAR 15

Feb.12



- ∅ 10...19
- 10...16

